

JOB _____ ITEM # _____ QTY # _____



411-1151 or
190-1077

The Piper Dome Storage Carts are a practical way to store and dry plastic, plastic single wall and most insulated style domes. The molded underbases can be stored in the same fashion.

The storage carts have individual racks to hold dome covers and underbases between warewashing, storage and makeup areas with minimum handling. The Piper Storage Cart comes complete with the universal dish rack and wire insert.

STANDARD FEATURES

- ◆ Available in either aluminum or stainless steel
- ◆ Accommodates most non-insulated and insulated domes or underbases
- ◆ Mobile
- ◆ Variety of capacities
- ◆ Plastic racks and insert come standard

OPTIONS

Part #	Description
<input type="checkbox"/> Y4	Polyurethane 4" casters (set of 4)
<input type="checkbox"/> Y5	Polyurethane 5" casters (set of 4)
<input type="checkbox"/> 411-1153	Universal wash rack
<input type="checkbox"/> R	Rotating bumper
<input type="checkbox"/> WB	Two locking casters

STRUCTURAL FEATURES

MODEL NUMBER

SYSTEM 9 - 9" DOME COVERS

	Aluminum	Stainless Steel
50 Cap.	<input type="checkbox"/> 411-1147	<input type="checkbox"/> 411-1150
100 Cap.	<input type="checkbox"/> 411-1148	<input type="checkbox"/> 411-1151
150 Cap.	<input type="checkbox"/> 411-1149	<input type="checkbox"/> 411-1152

- ◆ Frame and cross supports are 1" square aluminum or 16-gauge square stainless steel tubing
- ◆ Fully welded frame requires no assembly
- ◆ 1" x 1" angle shelves welded to 1" square tubing
- ◆ Universal plastic wash racks have a coated wire rack insert to hold the domes

HEAVY-DUTY CASTERS

- ◆ 5" diameter x 1/1/4" wide swivel sealed wheels on Colson® rigs
- ◆ Delrin bearing, each with 350 lb. capacity
- ◆ Maximum resistance to chemicals, acids, bases, alcohol, water and steam
- ◆ Maximum low temperature flexibility or superior performance even in freezing temperatures

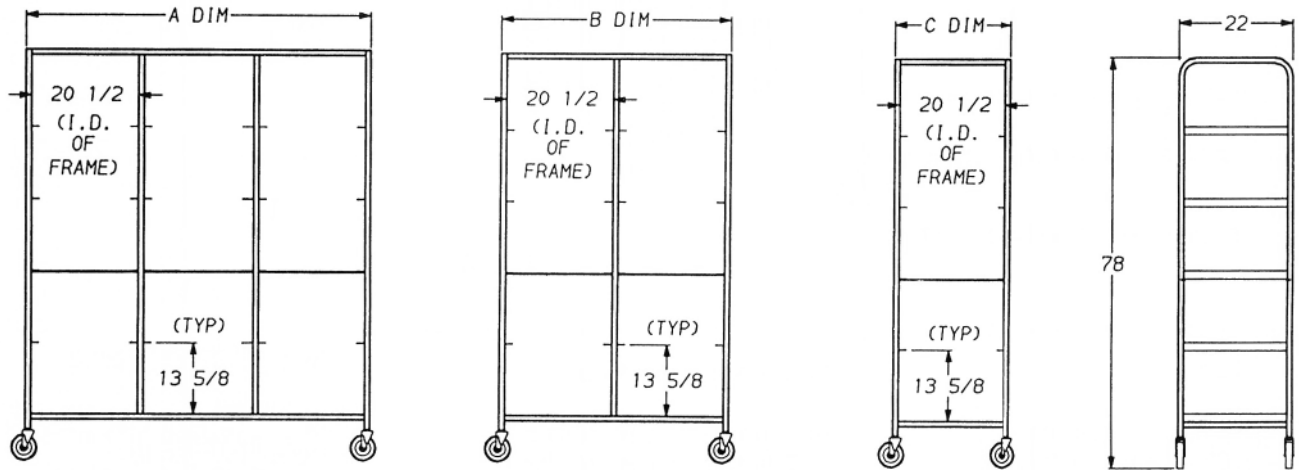
WARRANTY

- ◆ One year parts and labor. Warranty is detailed on inside front cover of the price list.

SPEC F-8

PIPER PRODUCTS
BUILT TO LAST
www.piperonline.net

300 S. 84th Avenue
Wausau, WI 54401
Phone: 800-544-3057
Fax: 715-842-3125



SYSTEM 9

Model	Description	Capacity Domes	A	B	C
411-1147	Aluminum	50	-	-	22-1/2"
411-1148	Aluminum	100	-	44"	-
411-1149	Aluminum	150	65-1/2"	-	-
411-1150	Stainless	50	-	-	22-1/2"
411-1151	Stainless	100	-	44"	-
411-1152	Stainless	150	65-1/2"	-	-

Allow an extra 1.5" for caster protection on overall dimensions.

F-8 SPEC

PIPER PRODUCTS
BUILT TO LAST
www.piperonline.net

300 S. 84th Avenue
 Wausau, WI 54401
 Phone: 800-544-3057
 Fax: 715-842-3125

LIMITED WARRANTY: PIPER PRODUCTS warrants to the original purchaser parts and labor for a period of twelve (12) months from the date of purchase. See manufacturer's complete warranty for details.

It is our policy to build equipment which is design certified by companies that have been accredited at the Federal Level by the Occupational Safety and Health Agency (OSHA) and ANSI as a National Recognized Testing Laboratory. These companies include CSA International, Underwriters Laboratories, and the National Sanitation Foundation. However, a continuing program of product improvement makes it necessary to submit new models to the agencies as they are developed. Consequently, all models may not bear the appropriate labels at all times.

We reserve the right to change specifications and product design without notice. Such revisions do not entitle buyer to corresponding changes, improvements, additions or replacements for previously purchased equipment. Information is not for design purposes.